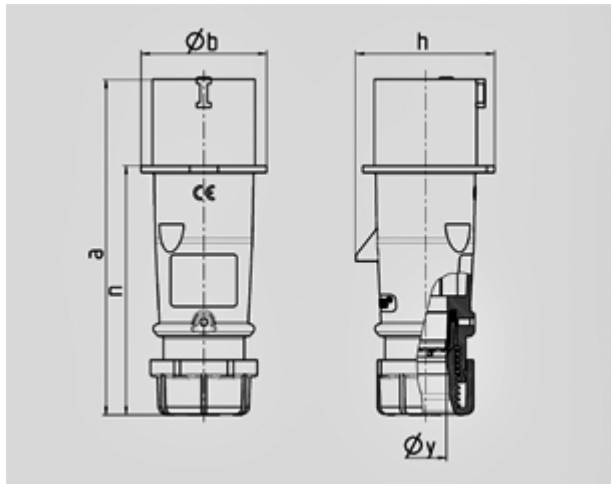


**Plug AM-TOP® - Part no. 259**

Std. Pack. 10 Qty.

- screw terminals
- single part body
- cable gland and sealing
- strain relief and protection against kinking

|                       |                 |
|-----------------------|-----------------|
| Protection type       | IP 44           |
| Ampere                | 32A             |
| Poles                 | 3p              |
| Voltage               | 110V            |
| Hertz                 | 50-60 Hz        |
| Earth position        | 4h              |
| Contact               | standard        |
| Connection technology | Screw terminals |



| Drawing           | Amp.                                      | 16    |       |       | 32  |     |      |
|-------------------|---|-------|-------|-------|-----|-----|------|
|                   |   | 3     | 4     | 5     | 3   | 4   | 5    |
| <b>2 MB 217</b>   | <b>Poles</b>                              |       |       |       |     |     |      |
| <b>Dim. in mm</b> | <b>a</b>                                  | 142   | 147   | 147   | 186 | 186 | 180  |
|                   | <b>b</b>                                  | 53    | 59    | 67    | 70  | 70  | 77   |
|                   | <b>h</b>                                  | 59    | 69,4  | 76    | 81  | 81  | 89,5 |
|                   | <b>n</b>                                  | 105,2 | 110,5 | 110,5 | 141 | 141 | 135  |
|                   | <b>y</b>                                  | 14,5  | 16    | 16    | 22  | 22  | 22   |
|                   | <b>Terminal for cond. cross</b>           | 1     | 1     | 1     | 2,5 | 2,5 | 2,5  |
|                   | <b>section (mm<sup>2</sup>) min.-max.</b> | -2,5  | -2,5  | -2,5  | -6  | -6  | -6   |